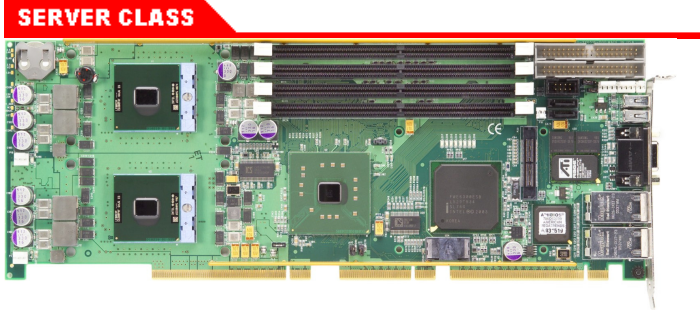
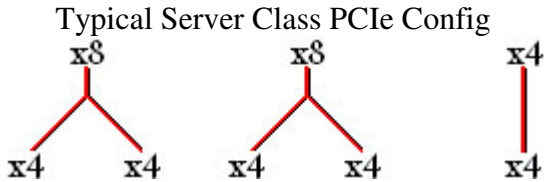


PICMG 1.3 Server and Graphics Class Description

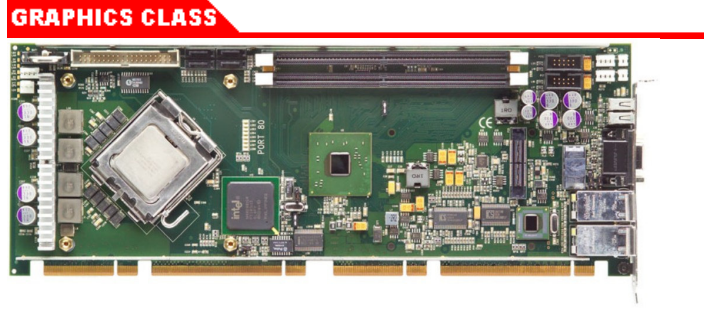
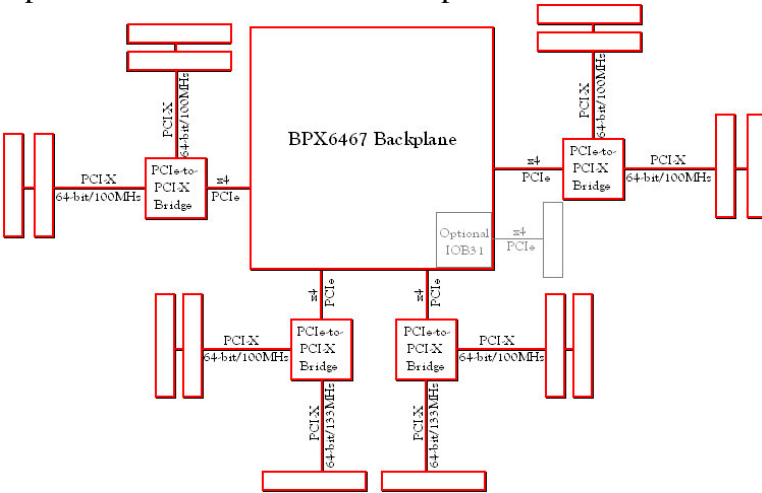


Benefit: Xeon class CPUs with many wide PCIe lanes.

PCIe Distribution: A typical server-class SHB may have a combination of x8 and x4 links routed to the backplane. There are up to 5 links and 20-Lanes to distribute.

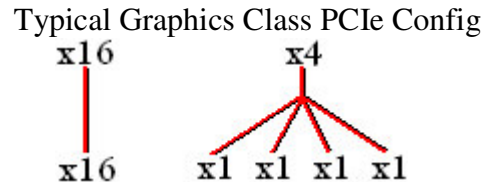


Example Application: Below is an example application (model number 92-506467-XXX) that is possible with a server class backplane.



Benefit: Pentium 4 class CPU with x16 PCIe video and 32-bit 33MHz PCI.

PCIe Distribution: A typical graphics-class SHB may have one x16 and either one x4 or four x1 links routed to the backplane. There are up to 5 links and 20-Lanes to distribute.



Example Application: Below is an example application (model number 92-506544-XXX) that is possible with a server class backplane.

