



## Technical Information – Overview & Connectors

### IOB33 (7015-005, 7015-004, 7015-002 & 7015-000) Option Card

#### IOB33 Overview

The IOB33 is optional I/O expansion board designed for use with the JXT6966 and JXTS6966 SHBs. Additional board versions are available for use with other Trenton SHBs. The IOB33 provides legacy I/O support and features a x4 PCIe edge connector along the bottom edge of the card. This x4 card edge connector routes a x1PCI Gen 1.1 electrical link from the boards Intel® 3420 PCH down to the expansion slot on a PICMG 1.3 backplane. The electrical width of this expansion link is determined by the board's chipset. For example, an IOB33 used with a Trenton MCX/MCG will route a x4 PCIe link from the south bridge of these SHBs down to a backplane. This extra link is useful in supporting an additional system card slot.

The optional IOB33 also expands the I/O capabilities of the system. The IOB33 has the following interfaces available for use by the system designer:

- Two - RS232 communication ports
- One - Floppy drive interface
- One - Parallel printer interface
- One – PS/2 Mini-DIN connector for PS/2 keyboard and mouse connections
  - Also includes separate, on-board PS/2 keyboard and mouse headers for systems that require separate PS/2 connections

There are three versions of the Trenton IOB33 I/O expansion board. This optional board was designed for the JXT6966 and JXTS6966 SHBs, but now additional versions are available for use on other Trenton SHBs. The chart below identifies the IOB33 version that is compatible with specific Trenton SHBs.

IOB Module	TSB7053 (7053)	T4L (6483)	TML (6490)	TQ9 (6731)	MCG- Series (6680, 6690, 6675, 6695)	NLI / NLT (6313, 6396)	SLT / SLI (6515, 6521)	MCX- Series (6633, 6685, 6638, 6700)	JXT / JXTS (6966)
IOB33JX (7015-004)	X								X
IOB33MC (7015-002)				X	X			X	
IOB33 (7015-000)		X	X			X	X		

#### IOB33 Models

Model #	Model Name	Description
7015-005	IOB33HJX	Includes the I/O Plate for use with the JXT6966 or JXT6966S and has serial port headers instead of COMM ports and the PS/2 MiniDIN is removed.
7015-004	IOB33JX	Includes the I/O Plate for use with the TSB7053, JXT6966 or JXTS6966 System Host Boards. This is version used in most JXT6966.JXTS6966 applications.
7015-002	IOB33MC	Includes the I/O Plate for use with MCX, MCG and TQ9 system host boards.
7015-000	IOB33	Includes the I/O Plate for use with TML, SLT, SLI, NLT, NLI and T4L system host boards.



TRENTON Technology Inc.  
2350 Centennial Drive • Gainesville, Georgia 30504  
Sales (800) 875-6031 • Phone (770) 287-3100 • Fax (770) 287-3150

---

---

NOTE: When an IOB33 is connected to the TSB7053's P20 I/O expansion connector, a second Super I/O chip is placed into the system by virtue of the LPC Bus routing through the controlled impedance connector. A future TSB7053 BIOS revision will be necessary to use this second Super I/O chip to support the IOB33's on-board headers and I/O bracket port connectors. All of the legacy I/O and serial communication ports featured on the IOB33; with the exception of the floppy and parallel ports, are now available directly on the TSB7053 board itself. The PCIe x4 link routing to a PICMG 1.3 backplane expansion slot works fine with the current TSB7053 BIOS revision.

---

## **IOB33 Features**

IOB33 (7015-004, 7015-002, 7015-001)

- I/O plate versions for a variety of Trenton system host boards
- Two serial ports and PS/2 mouse/keyboard mini DIN on the I/O bracket
- PS/2 mouse, keyboard, parallel port and floppy drive connectors
- PCI Express expansion capability for use with PCI Express backplanes
- Compatible with PCI Industrial Computer Manufacturers Group (PICMG®) PCI Express Specification

## **IOB33 Temperature/Environment**

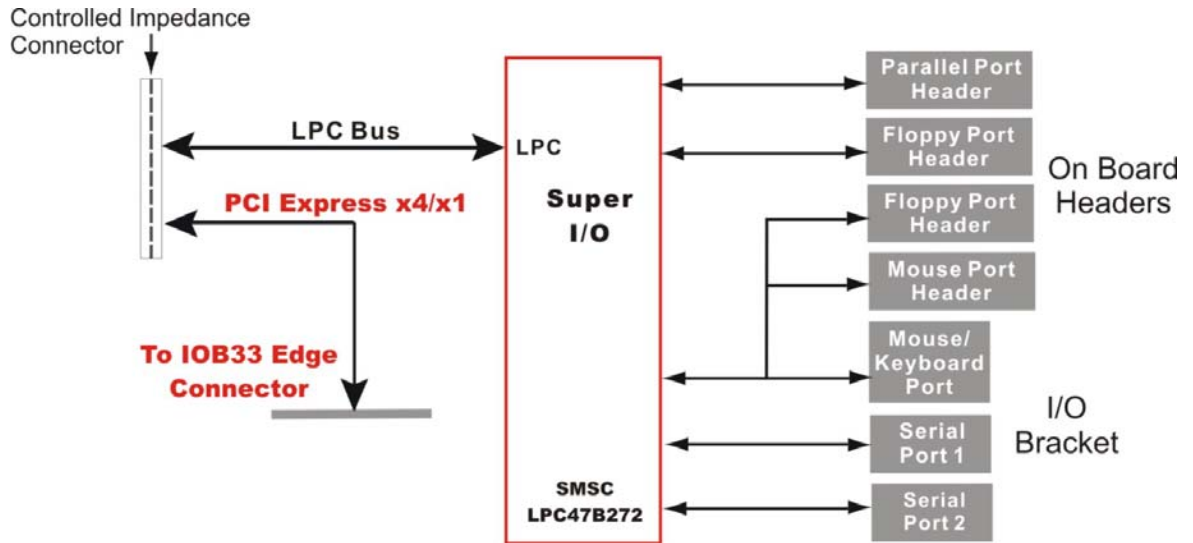
**Operating Temperature:** 0° C. to 60° C.

**Storage Temperature:** -20° C. to 70° C.

**Humidity:** 5% to 90% non-condensing

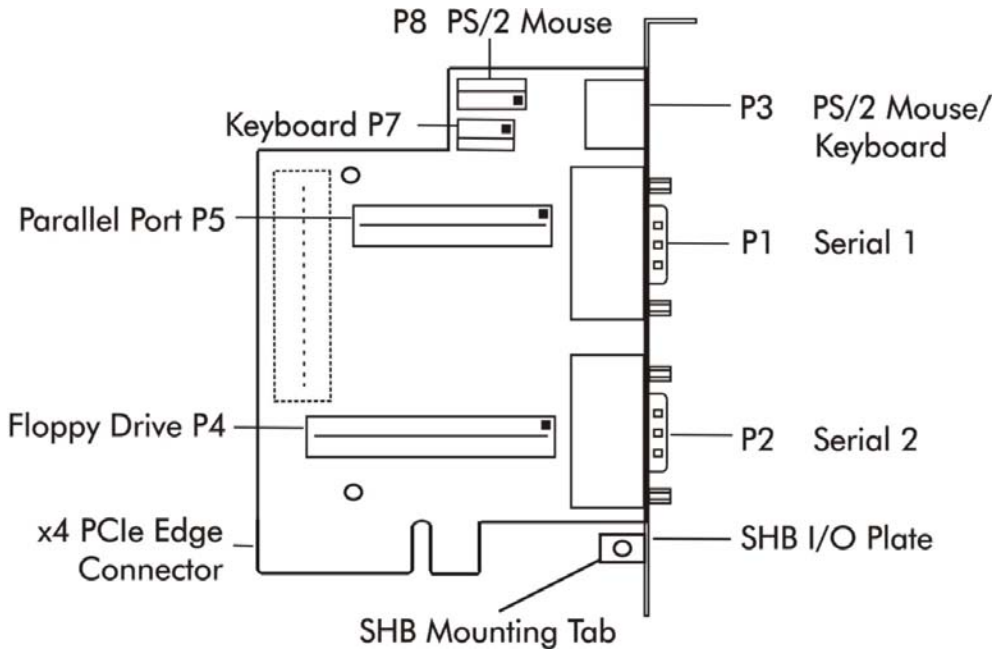


### IOB33 (7015-004, -002 and -000) Block Diagram

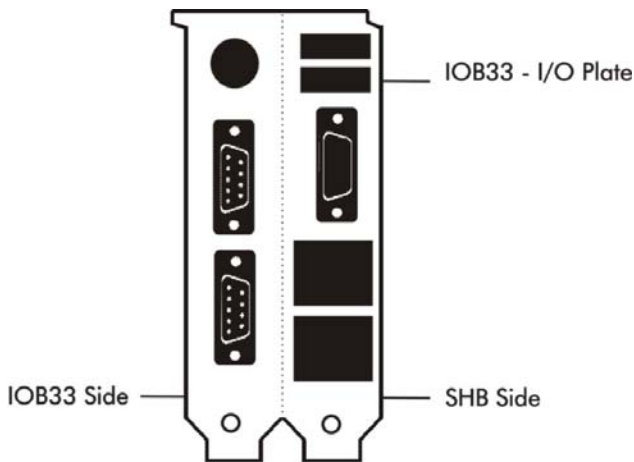




### IOB33 (7015-004, -002 and -000) Layout Diagram



### IOB33 (7015-004, -002 and -000) I/O Plate Diagram





## IOB33 Connectors

---

**NOTE:** Pin 1 on the connectors is indicated by the square pad on the PCB.

---

**P1 - Serial Port Connector\***

9 position “D” right angle, Spectrum #56-402-001 (\*Replaced with header on tab –005)

<u>Pin</u>	<u>Signal</u>	<u>Pin</u>	<u>Signal</u>
1	Carrier Detect	6	Data Set Ready-I
2	Receive Data-I	7	Request to Send-O
3	Transmit Data-O	8	Clear to Send-
4	Data Terminal Ready-O	9	Ring Indicator-I
5	Signal Gnd		

**P2 - Serial Port Connector\***

9 position “D” right angle, Spectrum #56-402-001 (\*Replaced with header on tab –005)

<u>Pin</u>	<u>Signal</u>	<u>Pin</u>	<u>Signal</u>
1	Carrier Detect	6	Data Set Ready-I
2	Receive Data-I	7	Request to Send-O
3	Transmit Data-O	8	Clear to Send-
4	Data Terminal Ready-O	9	Ring Indicator-I
5	Signal Gnd		

**P3 - PS/2 Mouse and Keyboard Connector\***

6 pin mini DIN, Kycon #KMDG-6S-B4T (\*Removed on tab –005 version)

<u>Pin</u>	<u>Signal</u>
1	Ms Data
2	Kbd Data
3	Gnd
4	Power (+5V fused) with self-resetting fuse
5	Ms Clock
6	Kbd Clock

**P1A, P2A - Serial Port Headers\***

10 pin vertical connector, Amp #1761602-3 (\*IOB33 tab –005 version only)

<u>Pin</u>	<u>Signal</u>	<u>Pin</u>	<u>Signal</u>
1	Carrier Detect	2	Data Set Ready-I
3	Receive Data-I	4	Request to Send-O
5	Transmit Data-O	6	Clear to Send-
7	Data Terminal Ready-O	8	Ring Indicator-I
9	Signal Gnd	10	NC



## IOB33 Connectors (continued)

### P4 - Floppy Drive Connector

34 pin dual row header, Amp #103308-7

<u>Pin</u>	<u>Signal</u>	<u>Pin</u>	<u>Signal</u>
1	Gnd	2	N-RPM
3	Gnd	4	NC
5	Gnd	6	D-Rate0
7	Gnd	8	P-Index
9	Gnd	10	N-Motoron 1
11	Gnd	12	N-Drive Sel2
13	Gnd	14	N-Drive Sel1
15	Gnd	16	N-Motoron 2
17	Gnd	18	N-Dir
19	Gnd	20	N-Stop Step
21	Gnd	22	N-Write Data
23	Gnd	24	N-Write Gate
25	Gnd	26	P-Track 0
27	Gnd	28	P-Write Protect
29	Gnd	30	N-Read Data
31	Gnd	32	N-Side Select
33	Gnd	34	Disk Change

### P5 - Parallel Port Connector

26 pin dual row header, Amp #103308-6

<u>Pin</u>	<u>Signal</u>	<u>Pin</u>	<u>Signal</u>
1	Strobe	2	Auto Feed XT
3	Data Bit 0	4	Error
5	Data Bit 1	6	Init
7	Data Bit 2	8	Slct In
9	Data Bit 3	10	Gnd
11	Data Bit 4	12	Gnd
13	Data Bit 5	14	Gnd
15	Data Bit 6	16	Gnd
17	Data Bit 7	18	Gnd
19	ACK	20	Gnd
21	Busy	22	Gnd
23	Paper End	24	Gnd
25	Slct	26	NC

### P7 - Keyboard Header

5 pin single row header, Amp #640456-5

<u>Pin</u>	<u>Signal</u>
1	Kbd Clock
2	Kbd Data
3	Key
4	Kbd Gnd
5	Kbd Power (+5V fused) with self resetting fuse



TRENTON Technology Inc.  
2350 Centennial Drive • Gainesville, Georgia 30504  
Sales (800) 875-6031 • Phone (770) 287-3100 • Fax (770) 287-3150

---

### **IOB33 Connectors (continued)**

**P8** - **PS/2 Mouse Header**  
6 pin single row header, Amp #640456-6

<u>Pin</u>	<u>Signal</u>
1	Ms Data
2	Reserved
3	Gnd
4	Power (+5V fused) with self-resetting fuse
5	Ms Clock
6	Reserved



## IOB33 Connectors (continued)

**P6 - Impedance Connector**  
76 pin controlled impedance connector,  
Samtec #MIS-038-01-FD-K

<u>Pin</u>	<u>Signal</u>	<u>Pin</u>	<u>Signal</u>
1	+12	2	+5V_STANDBY
3	NC	4	+5V_STANDBY
5	NC	6	+5V_DUAL
7	NC	8	+5V_DUAL
9	NC	10	NC
11	NC	12	NC
13	ICH_SMI#	14	ICH_RCIN#
15	ICH_SIOPME#	16	ICH_A20GATE
17	Gnd	18	Gnd
19	L_FRAME#	20	L_AD3
21	L_DRQ1#	22	L_AD2
23	L_DRQ0#	24	L_AD1
25	SERIRQ	26	L_AD0
27	Gnd	28	Gnd
29	PCLK14SIO	30	PCLK33LPC
31	Gnd	32	Gnd
33	SMBDATA_RESUME	34	IPMB_DAT
35	SBMCLK_RESUME	36	IPMB_CLK
37	SALRT#_RESUME	38	IPMB_ALRT#
39	Gnd	40	Gnd
41	EXP_CLK100	42	EXP_RESET#
43	EXP_CLK100#	44	ICH_WAKE#
45	Gnd	46	Gnd
47	C_PE_TXP4	48	C_PE_RXP4
49	C_PE_TXN4	50	C_PE_RXN4
51	Gnd	52	Gnd
53	C_PE_TXP3	54	C_PE_RXP3
55	C_PE_TXN3	56	C_PE_RXN3
57	Gnd	58	Gnd
59	C_PE_TXP2	60	C_PE_RXP2
61	C_PE_TXN2	62	C_PE_RXN2
63	Gnd	64	Gnd
65	C_PE_TXP1	66	C_PE_RXP1
67	C_PE_TXN1	68	C_PE_RXN1
69	Gnd	70	Gnd
71	+3.3V	72	+5V
73	+3.3V	74	+5V
75	+3.3V	76	+5v